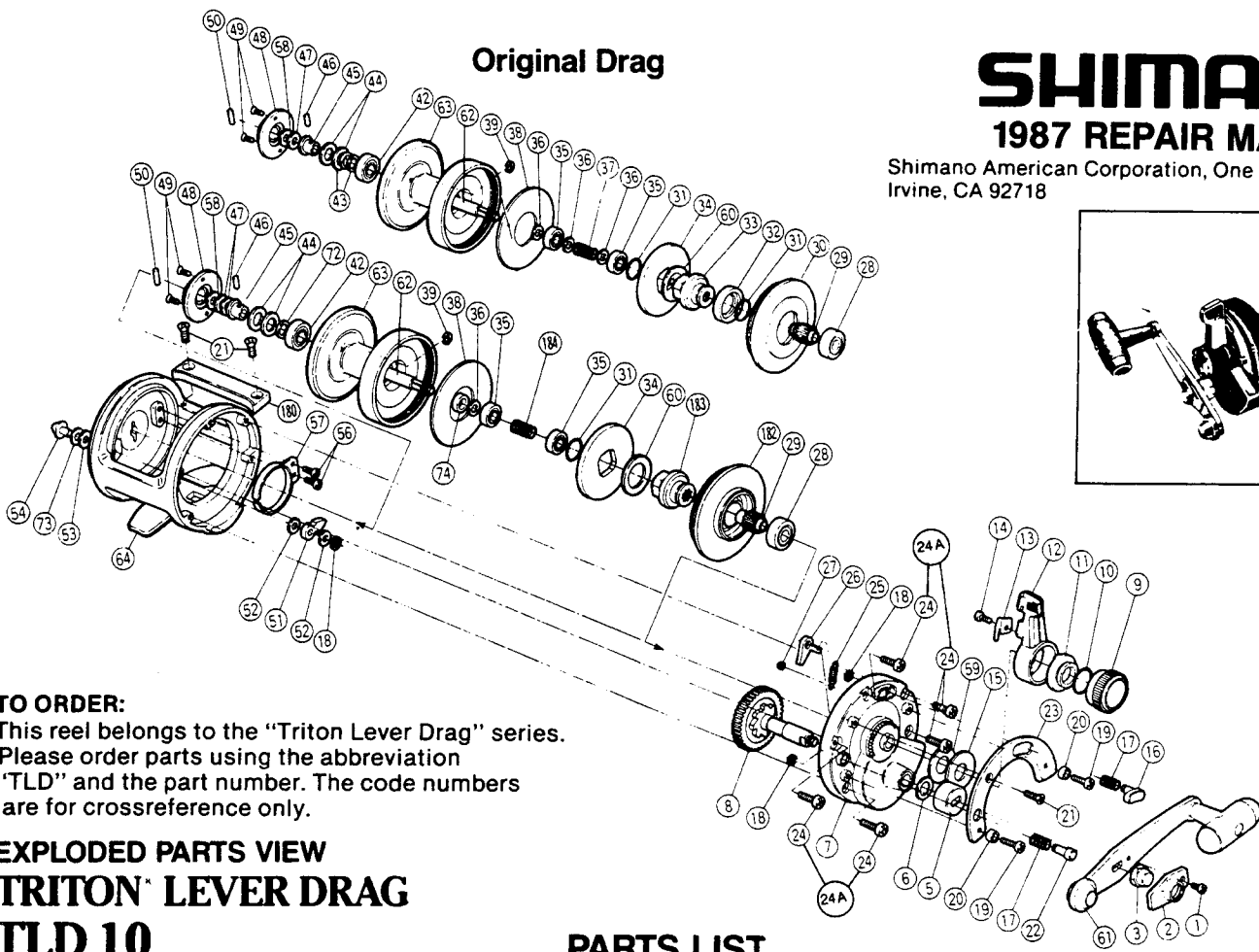
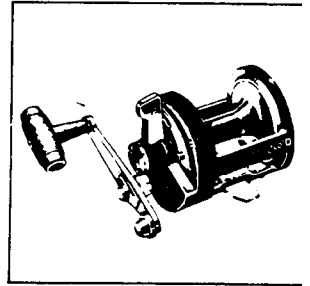


SHIMANO

1987 REPAIR MANUAL

Shimano American Corporation, One Shimano [Irvine, CA 92718



TO ORDER:

This reel belongs to the "Triton Lever Drag" series. Please order parts using the abbreviation "TLD" and the part number. The code numbers are for crossreference only.

EXPLODED PARTS VIEW TRITON LEVER DRAG TLD 10

PARTS LIST

PART #	CODE #	DESCRIPTION	PART #	CODE #	DESCRIPTION
1.	7-0014 30111S	Handle Lock Screw	38.	7-1766 09000S	Titanium Drag Washer
2.	7-2124 06700S	Handle Lock	39.	7-0042 18400S	"C" Lock
3.	7-2123 09000S	Handle Nut	42.	7-0402 27302S	Ball Bearing (with oil)
5.	7-2171 09000S	Gear Shaft Shield	43.	7-1754 09001S	Pre-Load Washer****
6.	7-2111 06101S	Gear Shaft Thrust Washer	44.	7-1755 09002S	Pre-Load Spring B
7.	6-2019 09000S	Side Plate	45.	7-1762 09000S	Pre-Load Body
8.	6-2109 09000S	Main Gear	46.	7-1763 09000S	Cross Pin A
9.	6-2089 09000S	Pre-Program Dial	47.	7-1738 09000S	Spacer A
10.	7-0160 32300S	Body "O" Seal	48.	6-1739 09000S	Click Gear
11.	7-2096 09000S	Lever Shaft Body	49.	7-0012 00100S	Click Gear Screw
12.	7-2076 09000S	Drag Control Lever	50.	7-1760 09000S	Cross Pin B
13.	7-1445 09000S	Lever Click Spring	51.	7-1414 09300S	Click Pawl
14.	7-0014 30220S	Click Spring Screw	52.	7-1471 09300S	Click Pawl Washer
15.	7-2073 09000S	Lever Thrust Ring	53.	7-1470 09300S	Click Button Washer A
16.	7-20B0 09000S	Strike Stop	54.	7-1468 09000S	Click Button
17.	7-20A2 09000S	Pressure Spring	56.	7-0013 30140S	Click Spring Screw
18.	7-0040 30400S	"C" Lock	57.	7-1415 09001S	Click Spring
19.	7-0011 30611S	Quadrant Anchor Bolt	58.	7-1738 09001S	Spacer B
20.	7-2098 09000S	Bolt Shield	59.		Spacer
21.	7-0012 30411S	Quadrant/Line Guard Screw	60.	7-1755 09000S	Pre-Load Spring A
22.	7-20A1 09000S	Free Spool Detent	61.	6-2129 09001S	Handle
23.	7-2090 09000S	Lever Quadrant	62.	7-1702 09010S	Main Shaft
24.	7-0013 40571S	Side Plate Bolt	63.	7-1701 09010S	Spool
24A.		Side Plate Bolt (oversize)	64.	6-15A909010S	One-Piece Body
25.	7-1838 09000S	Dog Spring	72.	7-1754 09000S	Pre-Load Washer *
26.	7-1824 09000S	Dog	73.	7-1620 09300S	Click Button Washer B
27.	7-0050 01010S	Dog Spring Retainer	74.	7-1718 090000	Bushing **
28.	7-0402 27301S	Ball Bearing (with grease)	180.	7-15C7090100	Line Guard*
29.	7-1706 09000S	Pinion Gear	182.	6-1779 090010	Cooling Shield (New)** ***
30.	7-1770 09000S	Cooling Shield	183.	6-1707 090005	Pinion Guard (New)**
31.	7-1768 09000S	Seal Lock	184.	7-1765 090010	Pressure Release Spring (New)**
32.	7-1771 09000S	Shield Seal			
33.	7-1707 09000S	Pinion Guard			
34.	6-1769 09000S	Drag Plate			
35.	7-1517 10000S	Ball Bearing			
36.	7-1764 09000S	Bearing Thrust Washer			
37.	7-1765 09000S	Pressure Release Spring			

* Not present on early versions.
 ** No interchangeability with older parts.
 *** Identified by rubber seal around center hole.
 **** Original drag used two pieces of part #43, newer reels use 1 piece of 72 instead.